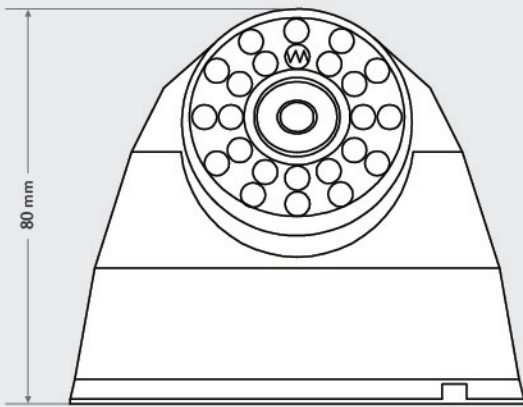
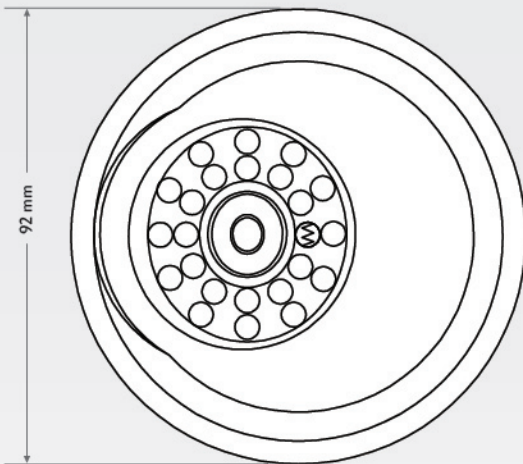


## UltraBlack Smart IR Dome Camera

### Dimensions:



FRONT VIEW



TOP VIEW



### Specifications:

No.	Features	MCD-E10-IRD	MCD-E20-IRD	MCD-E30-IRD
1	IMAGE SENSOR	1/3" SONY Super HAD CCD II		
2	VIDEO RESOLUTION	420 TV Lines	520 TV Lines	600 TV Lines
3	MINIMUM ILLUMINATION	0 lux (IR On) , 0.01 lux (IR Off)		
4	S/N RATIO	>50dB		
5	SIGNAL SYSTEM	PAL		
6	SHUTTER SPEED	1/50 ~ 1/100,000 secs.		
7	LENS	3.6mm High Definition Fixed Lens (Made in Korea)		
8	IR LEDs	21 ea 5mm UltraBlack SMART LEDs		
9	IR VISIBILITY	15 - 20m		
10	POWER SUPPLY	DC 12V ± 10%		
11	HOUSING	ABS plastic dome	Aluminium die cast dome	
12	SIZE	90mm (L) x 70mm (H)		
13	OPERATING TEMP.	-10°C ~ 50°C		
14	WEIGHT	Approx. 200g		
15	WARRANTY	24 months on manufacturing defects		

Powered by **MicroEngine**<sup>®</sup>  
Version 1.0