

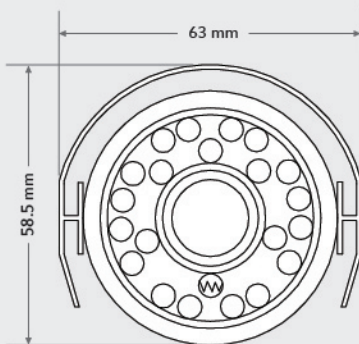
UltraBlack Smart IR Bullet Camera



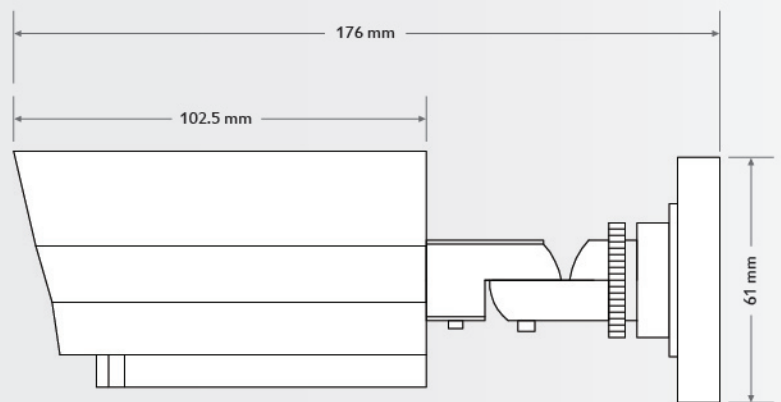
Specifications:

No.	Features	MCD-E20-IRB	MCD-E30-IRB
1	IMAGE SENSOR	1/3" SONY Super HAD CCD II	
2	VIDEO RESOLUTION	520 TV Lines	600 TV Lines
3	MINIMUM ILLUMINATION	0 lux (IR On) , 0.01 lux (Color)	
4	S/N RATIO	>50dB	
5	SIGNAL SYSTEM	PAL	
6	SHUTTER SPEED	1/50 ~ 1/100,000 secs.	
7	LENS	3.6mm High Definition Fixed Lens (Made in Korea)	
8	IR LEDs	21ea 5mm UltraBlack LEDs	
9	SMART IR TECHNOLOGY	Yes, Intelligent Auto Dimming	
10	IR VISIBILITY	15 - 20m	
11	POWER SUPPLY	DC 12V ± 10%	
12	HOUSING	Aluminium die cast bullet with cable management bracket (IP65)	
13	SIZE	155mm (L) x 78mm (W) x 72mm (H)	
14	OPERATING TEMP.	-10°C ~ 50°C	
15	WEIGHT	400g	
16	WARRANTY	24 months on manufacturing defects	

Dimensions:



FRONT VIEW



SIDE VIEW

Powered by **MicroEngine**[®]
Version 1.0